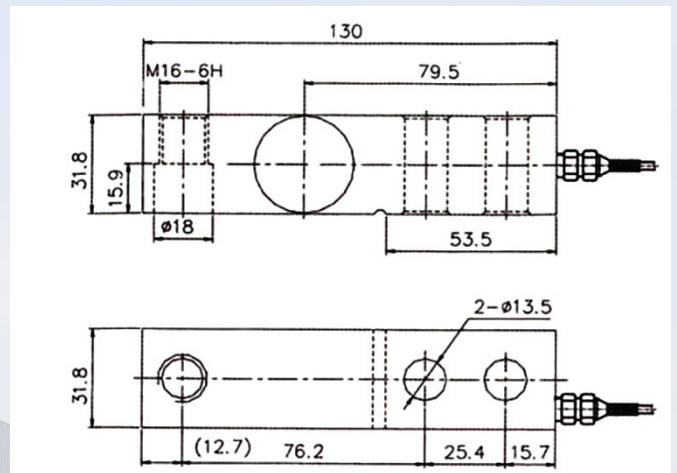


JFL-1320C cantilever beam weight sensor

- Cantilever beam weight sensor, also called shear beam weight sensor, simple and easy to install
- High reliability, stable and accurate weighing, long working time, high cost-effectiveness
- Can choose analog model or digital model
- suitable for truck scale, small ground scale, feeding tank, construction machinery, etc.



Technical parameters

Model: JFL-1320C

Capacity: 0.1T-3T

Output sensitivity:  $2.0 \pm 10\%$  MV/V

Zero point output:  $\pm 1\%$  FS

Nonlinear: 0.03% FS

Excitation voltage: 5-15V

Safe overload: 150%

Cable:  $\phi 5.0 \times 3.5$  m

Material: good quality alloy steel

Output resistance:  $350 \pm 3\Omega$

Input resistance:  $375 \pm 10\Omega$

Comprehensive error:  $\leq \pm 0.03\%$

Repeatability: 0.03% FS

Working temperature range:  $-20^{\circ}\text{C}$  to  $+70^{\circ}\text{C}$

Ultimate overload: 200%

Insulation resistance:  $\geq 5000\text{M}\Omega(50\text{V})$

Cable connection: red: Power + ; black: Power - ; green: signal + ; white: signal - (can be 6 core wire)