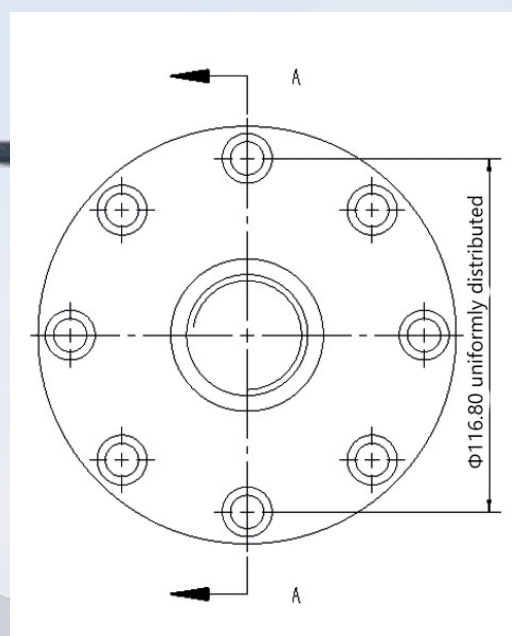
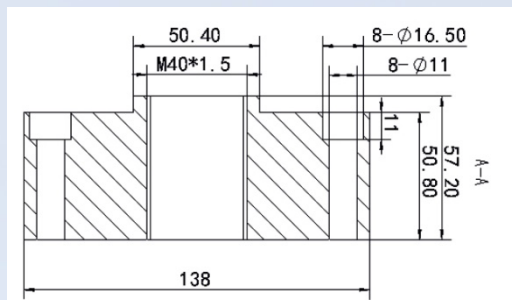


JFL-ZAM2



No.	Item	Spec.
1	Model	JFL-ZAM2
2	Capacity	300KN
3	Accuracy	0.05%F.S
4	Output sensitivity	2.0 MV/V
5	Creep	0.05%F.S/30min
6	Zero-point output	$\pm 1\%$ F.S
7	Temperature effect on zero	$\pm 0.03\%$ F.S/10°C
8	Temperature effect on output	$\pm 0.05\%$ F.S/10°C
9	Working temperature	-10 to +65°C
10	Input resistance	$750 \pm 5\Omega$
11	Output resistance	$700 \pm 3\Omega$
12	Insulation resistance	$> 5000M\Omega$
13	Safe overload range	150%
14	Excitation voltage	10VDC
15	Material	Good quality alloy steel
16	Wire connection	Power +(red), power -(black), signal +(green), signal -(white)