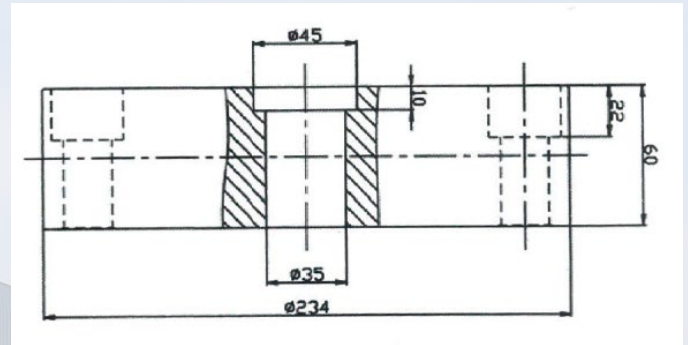
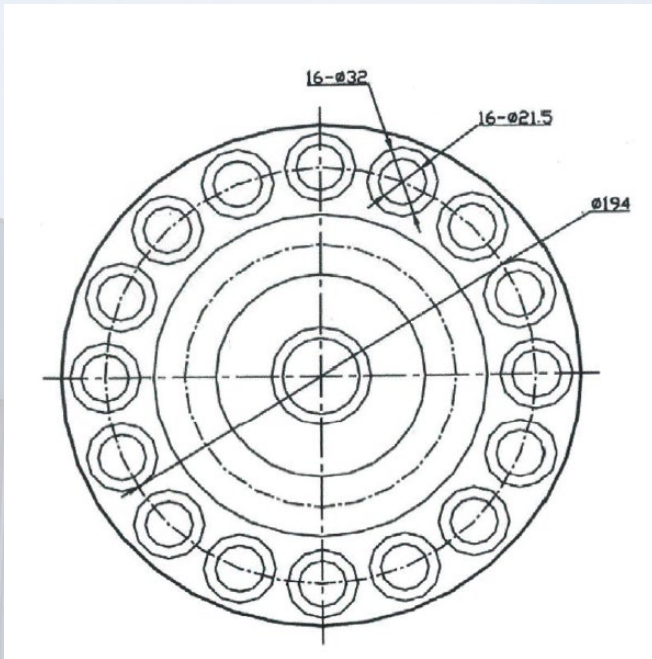


JFL-THC



No.	Item	Spec.
1	Model	JFL-THC
2	Capacity(KN)	600, 1000
3	Accuracy	0.05%F.S
4	Output sensitivity	2.0 MV/V
5	Creep	0.05%F.S/30min
6	Zero-point output	±1%F.S
7	Temperature effect on zero	±0.03%F.S/10°C
8	Temperature effect on output	±0.05%F.S/10°C
9	Working temperature	-10 to +65°C
10	Input resistance	375±10Ω
11	Output resistance	350±5Ω
12	Insulation resistance	> 5000MΩ
13	Safe overload range	150%
14	Excitation voltage	10VDC
15	Material	Good quality alloy steel
16	Wire connection	Power +(red), power -(black),signal +(green), signal -(white)