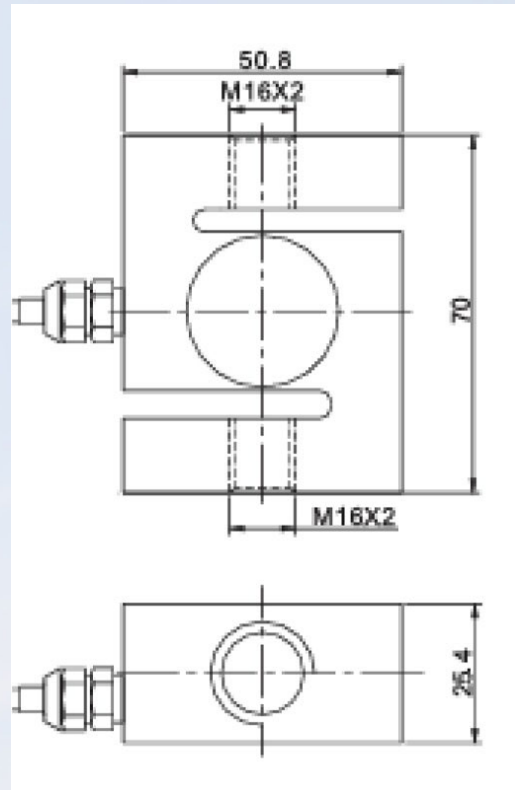
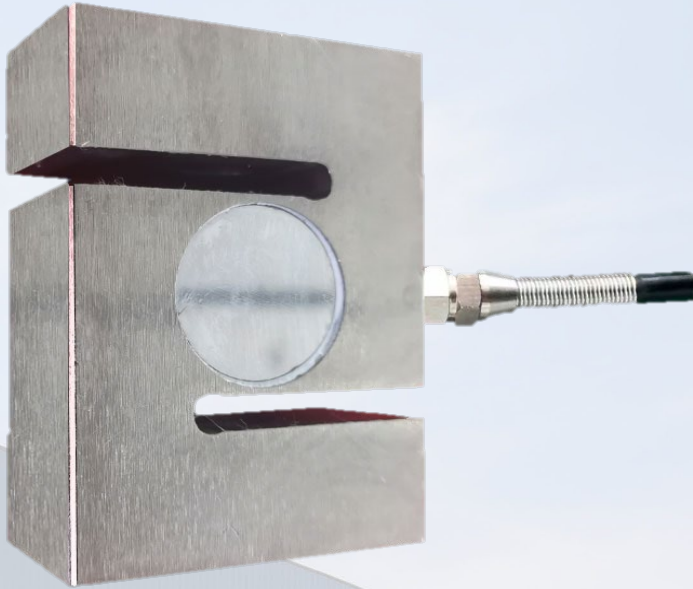


# JFL-1528C



## Technical parameters

Model: JFL-1528C

Capacity: 0.1T-3T

Output sensitivity:  $2.0 \pm 10\%$  MV/V

Zero point output:  $\pm 1\%$  F.S.

Non-linear: 0.03% F.S.

Excitation voltage: 5-15v

Safe overload: 150%

Cable:  $\Phi 5.0 \times 3.5$ m

Wire connection: red: power +; black: power -; green: signal +; white: signal -

Customize output format: 4-20MA. 0-5V, 0-10V, RS485

Material: high quality alloy steel

Output resistance:  $350 \pm 3\Omega$

Input resistance:  $375 \pm 10\Omega$

Comprehensive error:  $\leq \pm 0.03\%$

Repeatability: 0.03% F.S.

Working temperature:  $-20^\circ\text{C}$  to  $+60^\circ\text{C}$

Ultimate overload: 200%

Insulation resistance:  $\geq 5000\text{M}\Omega$  (50V)