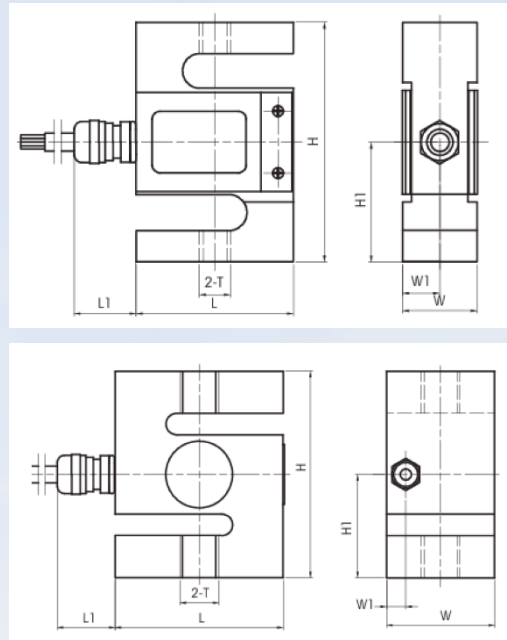
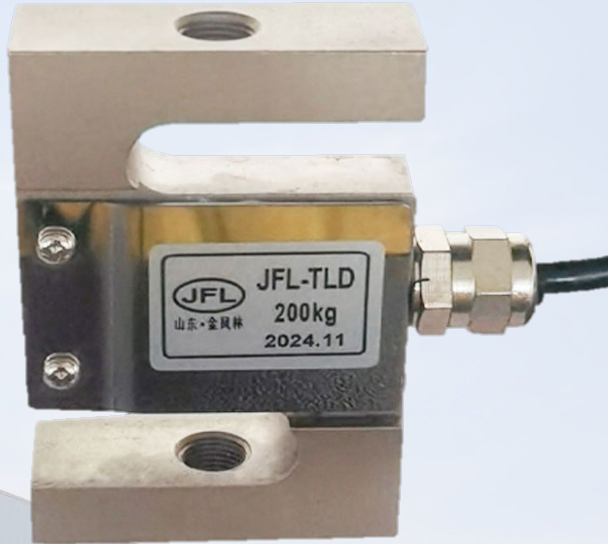


JFL-TLD



Capacity(kg)	Size(mm)						
	L	H	W	T	W1	H1	L1
50,100,200	50.8	77	18.5	M10x1	9.3	38.5	17
300	50.8	77	24.4	M10x1	12.2	38.5	17
500	50.8	77	24.4	M12x1	12.2	38.5	17
1000	50.8	77	36	M12x1	18	38.5	17
2000	70	86	45	M16x1.5	8	43	17
3000	80	100	50	M18x1.5	8	50	17
5000	92	130	58	M20x2	8	65	17

Technical parameters

Model: JFL-TLD

Capacity: 50kg-5T

Output sensitivity: $2.0 \pm 10\%$ MV/V

Zero point output: $\pm 1\%$ F.S.

Non-linear: 0.03% F.S.

Excitation voltage: 5-15v

Safe overload: 150%

Cable: $\Phi 5.7 \times 3.5$ m

Wire connection: Green: E+, Black: E-, Yellow: Feedback +, Blue: Feedback -, White: S+, Red: S-, Yellow(thick): shield

Material: high quality alloy steel / SS

Output resistance: $350 \pm 3\Omega$

Input resistance: $377 \pm 10\Omega$

Comprehensive error: $\leq \pm 0.03\%$

Repeatability: 0.03% F.S.

Working temperature: -20°C to $+60^\circ\text{C}$

Ultimate overload: 200%

Insulation resistance: $\geq 5000\text{M}\Omega(50\text{V})$