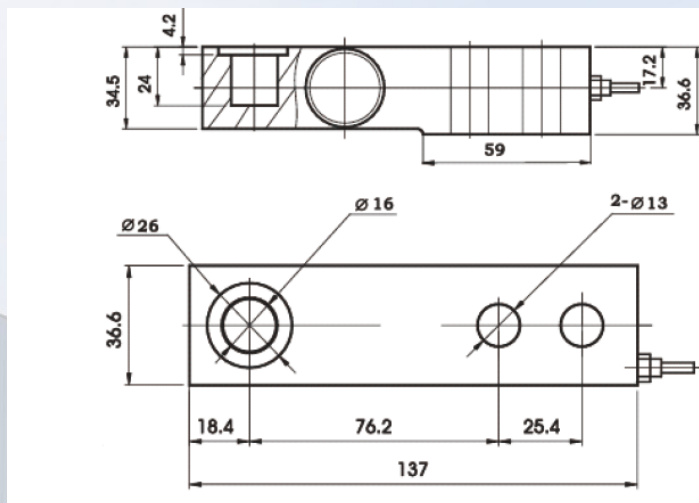


JFL-1344



Technical parameters

Model: JFL-1344

Capacity: 0.5T-3T

Output sensitivity: $2.0 \pm 10\%$ MV/V

Zero point output: $\pm 1\%$ F.S.

Non-linear: 0.03% F.S.

Excitation voltage: 5-15v

Safe overload: 150%

Cable: $\Phi 5.7 \times 3.5$ m

Material: high quality alloy steel / SS

Output resistance: $350 \pm 3\Omega$

Input resistance: $375 \pm 10\Omega$

Comprehensive error: $\leq \pm 0.03\%$

Repeatability: 0.03% F.S.

Working temperature: -20°C to $+60^\circ\text{C}$

Ultimate overload: 200%

Insulation resistance: $\geq 5000\text{M}\Omega$ (50V)

Wire connection: red: power +, black: power -, green: signal +, white: signal -