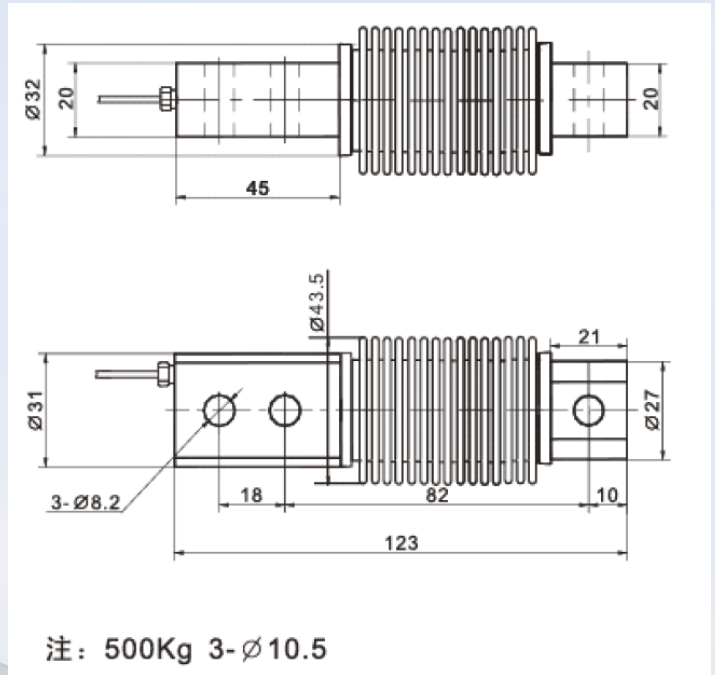


# JFL-1328



## Technical parameters

Model: JFL-1328

Capacity: 20kg-500kg

Output sensitivity:  $2.0 \pm 10\% \text{ MV/V}$

Zero point output:  $\pm 1\% \text{ F.S.}$

Non-linear:  $0.03\% \text{ F.S.}$

Excitation voltage: 5-15v

Safe overload: 150%

Cable:  $\Phi 5.7 \times 3.5 \text{ m}$

Wire connection: red: power +, black: power -, green: signal +, white: signal -

Material: high quality alloy steel / SS

Output resistance:  $350 \pm 3\Omega$

Input resistance:  $375 \pm 10\Omega$

Comprehensive error:  $\leq \pm 0.03\%$

Repeatability:  $0.03\% \text{ F.S.}$

Working temperature:  $-20^\circ\text{C}$  to  $+70^\circ\text{C}$

Ultimate overload: 200%

Insulation resistance:  $\geq 5000 \text{ M}\Omega (50 \text{ V})$